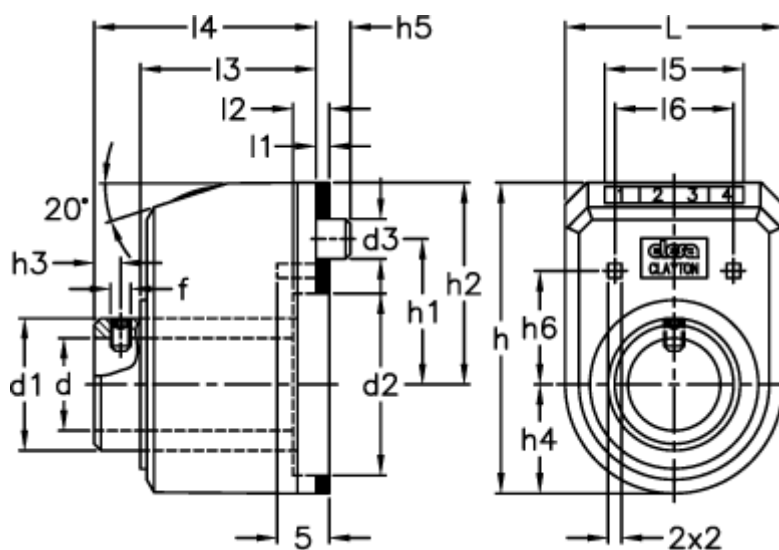


Article number: 2307095793

Description: E+G Position indicator
DD51-FR-010.0-D-C2 F.14 S.ST. (orange)

Measures



| | | |
|-----------|-----------|---------------|
| d1 = 20 | h3 = 3.4 | l4 = 33 |
| d2 = 27.5 | h4 = 16.5 | l5 = 21 |
| d3 = 6 | h5 = 5.2 | l6 = 16 |
| d H7 = 14 | h6 = 18 | Max rpm = 250 |
| f = M4 | L = 33 | |
| h = 47 | l1 = 2 | |
| h1 = 22 | l2 = 3.5 | |
| h2 = 30.5 | l3 = 26 | |